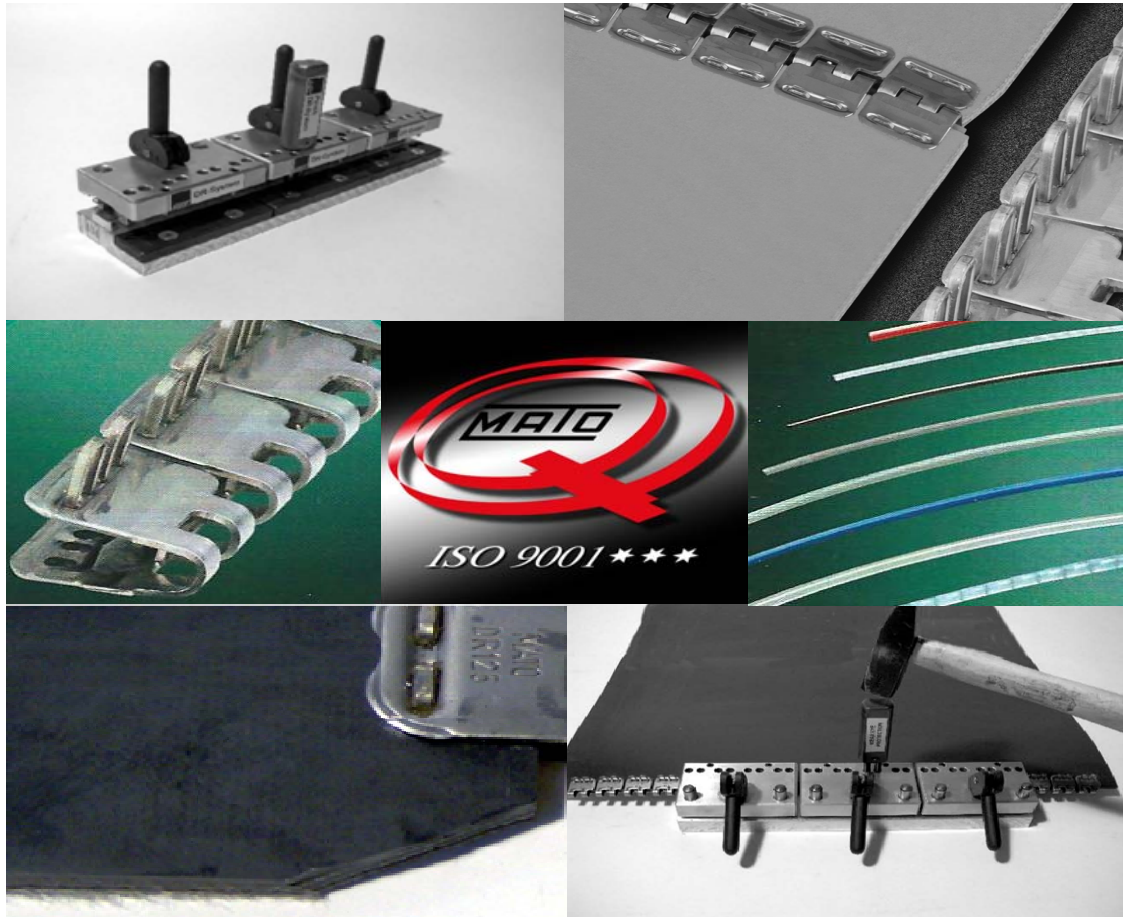


Conveyor Belt Maintenance Equipment



DR FASTENERS

MATO Australia Pty. Ltd. (Incorporated in NSW) ACN: 050057728 ABN: 82 050 057 728

Head Office – Kurri Kurri NSW
PO BOX 447 Kurri Kurri NSW 2327

Tel: 1300 850 795 Fax: (02) 4936 1388

Queensland Branch: Mackay
PO BOX 5987 Mackay QLD 4740

Email: maus@mato.com.au Web: www.mato.com.au

Hammer Installed Fastener DR



- Pre-installed staples
- Box including Connecting Pins

Description	Strip Length	Min. Pulley Diameter	No. Of Sets Per Box	Order No.	STOCK LEVEL	kg
-------------	--------------	----------------------	---------------------	-----------	-------------	----

DR GALVANISED

Belt Thickness 1.5 - 3.0 mm		Connecting Pin MK20				
DR62-G-300-NC	300 mm	50 mm	4	42 101 62 30	ON REQUEST	0.6
DR62-G-600-NC	600 mm	50 mm	4	42 101 62 60	ON REQUEST	1.2
DR62-G-1200-NC	1200 mm	50 mm	4	42 101 62 12	STOCK ITEM	2.4
Belt Thickness 3.0 - 5.0 mm		Connecting Pin MK35				
DR125-G-300-NC	300 mm	75 mm	4	42 101 12 30	ON REQUEST	0.8
DR125-G-600-NC	600 mm	75 mm	4	42 101 12 60	ON REQUEST	1.6
DR125-G-1200-NC	1200 mm	75 mm	4	42 101 12 12	STOCK ITEM	3.1
Belt Thickness 5.0 - 6.0 mm		Connecting Pin MK51				
DR187-G-300-NC	300 mm	100 mm	4	42 101 18 30	ON REQUEST	1.2
DR187-G-600-NC	600 mm	100 mm	4	42 101 18 60	ON REQUEST	2.4
DR187-G-1200-NC	1200 mm	100 mm	4	42 101 18 12	STOCK ITEM	4.9



Material:
Galvanised Steel

DR - STAINLESS

Belt Thickness 1.5 - 3.0 mm		Connecting Pin MK20				
DR62-SS-300-NCS	300 mm	50 mm	4	42 104 62 30	ON REQUEST	0.6
DR62-SS-600-NCS	600 mm	50 mm	4	42 104 62 60	ON REQUEST	1.2
DR62-SS-1200-NCS	1200 mm	50 mm	4	42 104 62 12	STOCK ITEM	2.4
Belt Thickness 3.0 - 5.0 mm		Connecting Pin MK35				
DR125-SS-300-NCS	300 mm	75 mm	4	42 104 12 30	ON REQUEST	0.8
DR125-SS-600-NCS	600 mm	75 mm	4	42 104 12 60	ON REQUEST	1.6
DR125-SS-1200-NCS	1200 mm	75 mm	4	42 104 12 12	STOCK ITEM	3.1
Belt Thickness 5.0 - 6.0 mm		Connecting Pin MK51				
DR187-SS-300-NCS	300 mm	100 mm	4	42 104 18 30	ON REQUEST	1.2
DR187-SS-600-NCS	600 mm	100 mm	4	42 104 18 60	ON REQUEST	2.4
DR187-SS-1200-NCS	1200 mm	100 mm	4	42 104 18 12	STOCK ITEM	4.9



Material:
Stainless Steel 316

One Set consists of two strips of Belt Fasteners and one Connecting Pin with appropriate length.
Extra Connecting Pins see page 3

Connecting Pins

for Hammer System DR



Description	Diameter mm	Order No.	STOCK LEVEL	kg
Connecting Pin MK - 30 Meter Coil				
Nylocable NC				
MK20-NC	2.0	42 504 02 00	STOCK ITEM	0.3
Nylocable Stainless NCS				
MK20-NCS	2.0	42 505 02 00	STOCK ITEM	0.3
MK35-NCS	3.5	42 505 03 50	STOCK ITEM	0.7
MK51-NCS	5.1	42 505 05 10	STOCK ITEM	1.4
Other sizes and cut into length Connecting Pins on request				

Connecting Pins MK...

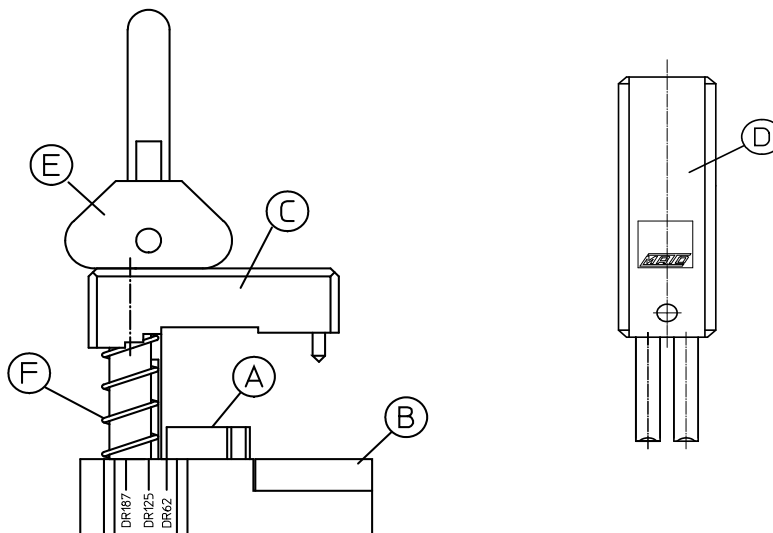
Accessories

for Hammer System DR

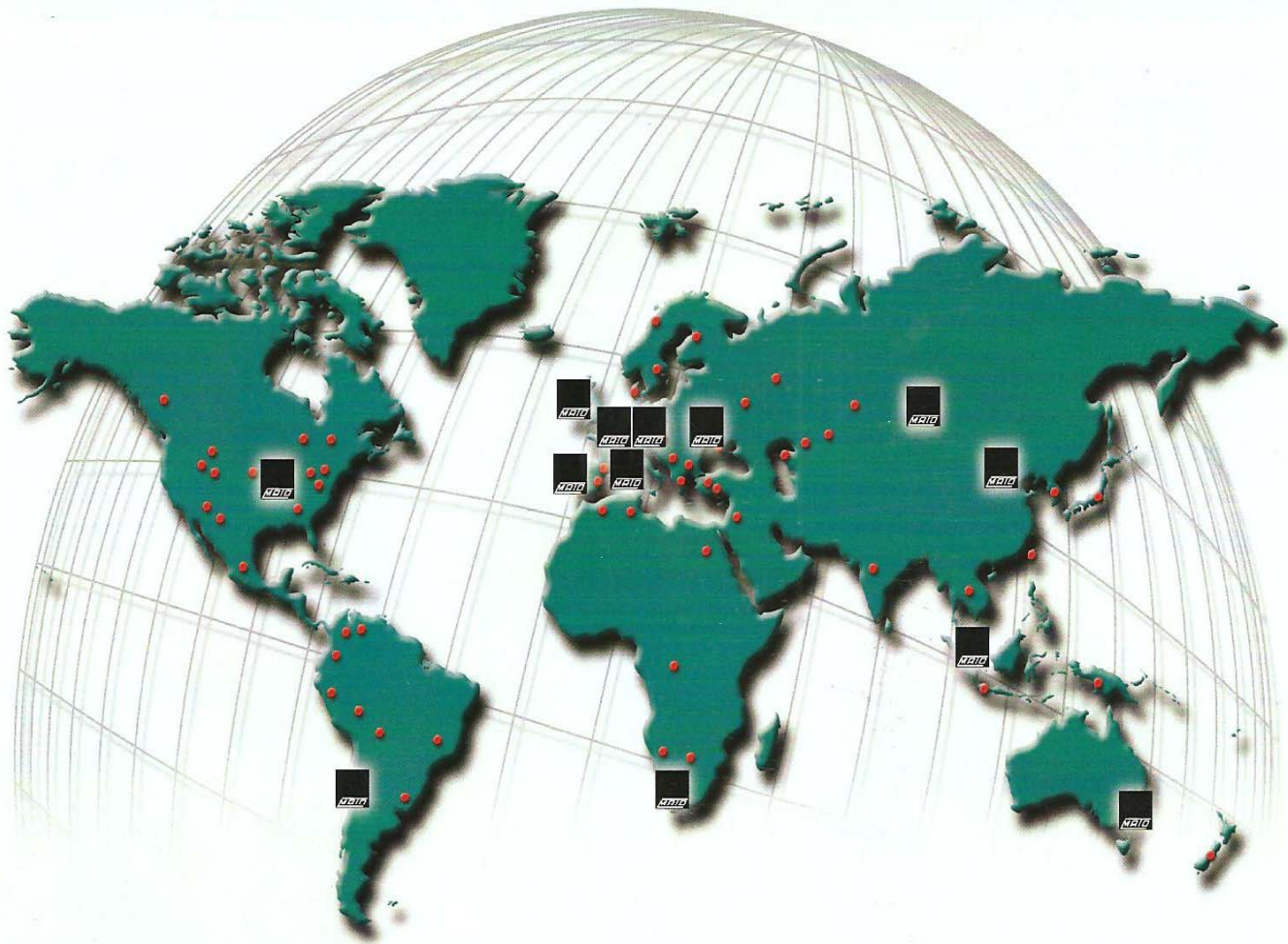
Description	Reference	Order No.	STOCK LEVEL	kg
DR Installation Units with Punch DR				
DR Installation Unit 100 mm		42 490 01 00	ON REQUEST	1.1
DR Installation Unit 300 mm		42 490 03 00	STOCK ITEM	2.9
DR Installation Unit 600 mm		42 490 06 00	ON REQUEST	5.5
Spare Parts for Installation Units DR				
Comb DR	A	42 490 00 03	ON REQUEST	0.10
Die DR	B	42 490 00 04	ON REQUEST	0.16
Upper Plate DR	C	42 490 00 02	ON REQUEST	0.18
Separate Punch DR	D	42 490 00 01	ON REQUEST	0.21
Clamping Lever complete	E	42 490 00 05	ON REQUEST	0.09
Compression Spring D13	F	42 490 00 06	ON REQUEST	0.01
Screw for Comb DR (VPE 10)		42 490 00 07	ON REQUEST	0.02
Screw for Die DR (VPE 10)		42 490 00 08	ON REQUEST	0.03



DR Installation Unit with Punch DR



MATO



MATO Australia
Pty. Ltd.



MATO Chile



MATO China



MATO
Corporation



MATO France
S.A.R.L



MATO Germany
GmbH & Co KG



MATO Iberica,
S.L



MATO Industries
Ltd.



MATO Products
Pty. Ltd.



MATO Sib



MATO S.E. Asia
Pte. Ltd.



MATO Suisse
GmbH



MATO
Uglemechanisatija