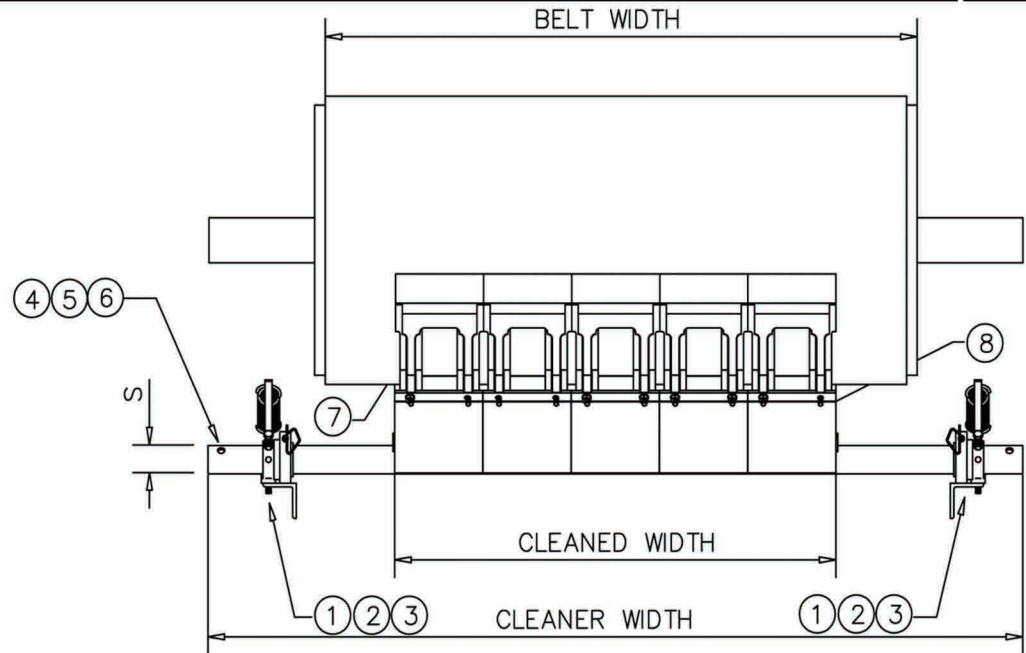
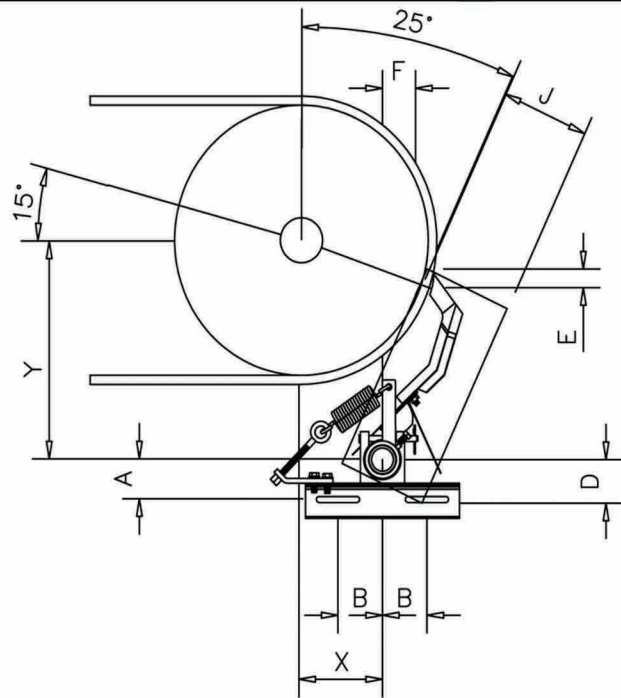


MCP1 SPRING TENSION PRE BELT CLEANER



REF CHUTE CUTOUT

BELT WIDTH	A	B	C	D	E	F	J
450mm-750mm	75	80	300	85	25	74	165
800mm-1200mm	80	100	350	90	25	74	165
1400mm-2000mm	90	100	350	95	25	74	165

ITEM	PART No.	DESCRIPTION
1	81 100 00 75	TENSION SPRING END ASSEMBLY 450/750mm belts
2	81 100 00 76	TENSION SPRING END ASSEMBLY 800/1200mm belts
3	81 100 00 77	TENSION SPRING END ASSEMBLY 1400/2000mm belts
4	MCP1-48mm SHAFT ASSY	BLADE CARRIER ASSEMBLY 450/750
5	MCP1-60mm SHAFT ASSY	BLADE CARRIER ASSEMBLY 800/1200
6	MCP1-76mm SHAFT ASSY	BLADE CARRIER ASSEMBLY 1400/2000
7	81 100 00 23	MCP1 TYPE P1 SIZE M POLY BLADE
8	81 100 00 01	MCP1 CUSHION

BELT WIDTH	BLADES	CLEANED WIDTH	CLEANER WIDTH	S
450/500	2	400	1400	48
600/650	3	600	1550	48
750	3	600	1650	48
800	4	800	1700	60
900	4	800	1800	60
1050	5	1000	1950	60
1200	5	1000	2100	60
1400	6	1200	2400	76
1500	7	1400	2500	76
1600	7	1400	2600	76
1800	8	1600	2800	76
2000	9	1800	3000	76

SUSPENSION TYPE	PULLEY DIAMETER	48mm		60mm		76mm	
		X	Y	X	Y	X	Y
SS	250	38	296	34	303	28	308
	300	65	302	58	310	52	314
	350	89	309	82	316	77	321
	400	113	315	109	323	101	327
	450	137	322	130	329	125	334
S	500	161	328	131	389	149	340
	500	142	379	137	384	321	390
	600	191	392	186	397	180	403
	700	239	405	234	410	228	416
M	800	285	421	279	429	273	437
	800	276	462	271	467	265	472
	900	324	475	319	480	313	485
L	1000	372	487	367	493	362	498
	1000	357	446	352	550	346	556
	1100	405	559	400	562	394	559
	1200	453	571	448	576	443	582
	1300	502	584	497	589	491	595
	1400	550	597	445	502	539	608
	1500	598	610	593	615	588	621