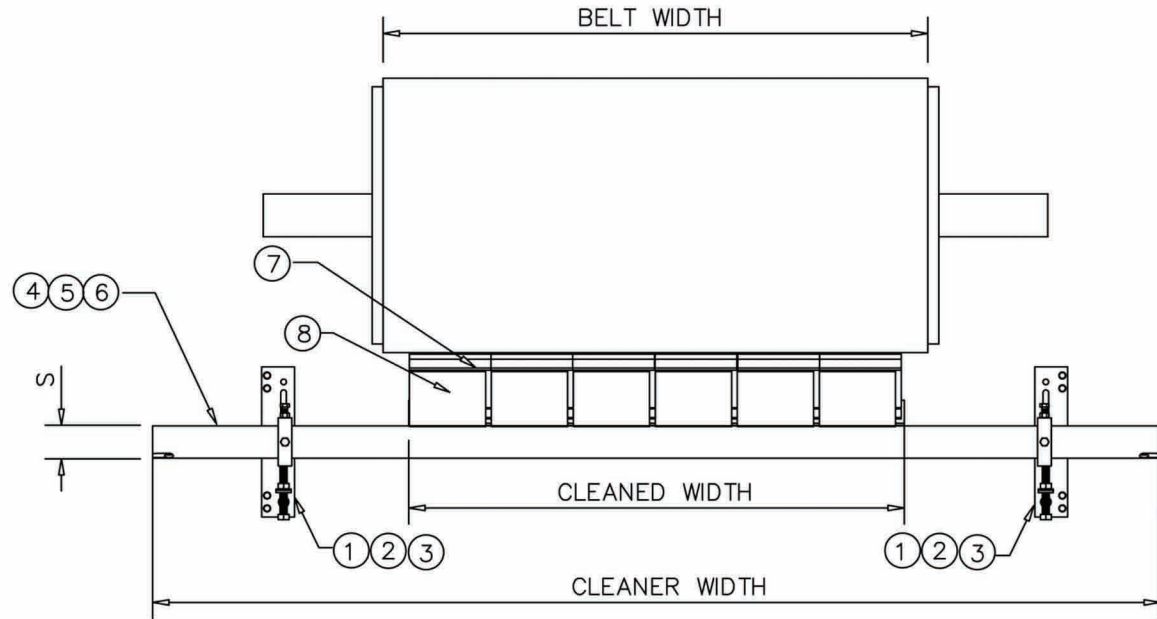
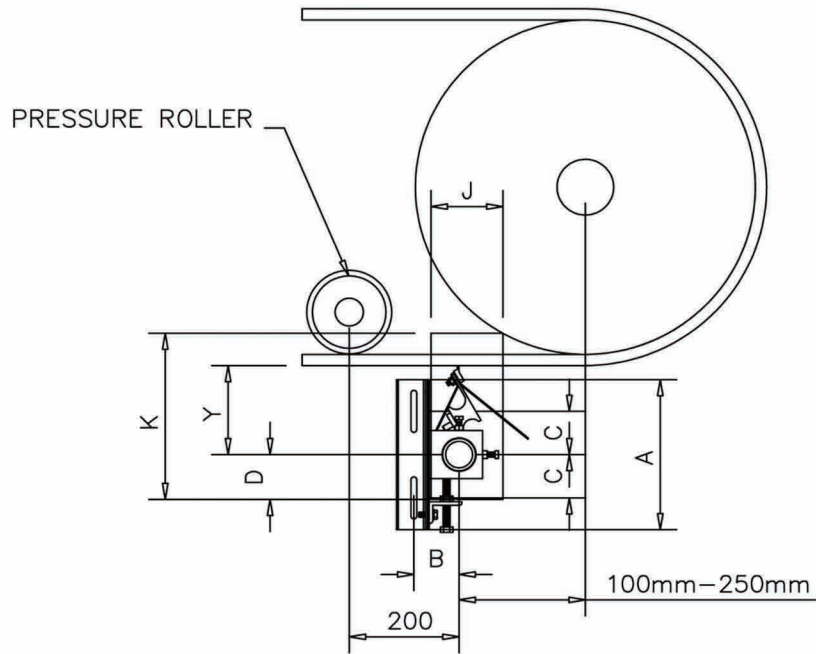


MCS2 BOLT TENSION SECONDARY BELT CLEANER



REF CHUTE CUTOUT

BELT WIDTH	Y	A	B	C	D	J	K
450mm-750mm	150	300	83	80	60	126	250
800mm-1200mm	160	350	90	100	70	126	250
1400mm-2000mm	170	350	95	100	80	126	250

ITEM	PART No.	DESCRIPTION
1	81 210 00 50	BOLT TENSION END ASSEMBLY 450/700mm belts
2	81 210 00 51	BOLT TENSION END ASSEMBLY 800/1200mm belts
3	81 210 00 52	BOLT TENSION END ASSEMBLY 1400/2000mm belts
4	MCS2-48mm SHAFT ASSY	BLADE CARRIER ASSEMBLY 450/700
5	MCS2-60mm SHAFT ASSY	BLADE CARRIER ASSEMBLY 800/1200
6	MCS2-76mm SHAFT ASSY	BLADE CARRIER ASSEMBLY 1400/2000
7	81 210 00 10	TUNGSTEN IMPACT BLADE 150mm
8	81 210 00 02	CUSHION 150mm

BELT WIDTH	BLADES	CLEANED WIDTH	CLEANER WIDTH	S
450	2	300	1300	48
500/600	3	450	1450	48
650/700	4	600	1550	48
800	5	750	1600	60
900	5	750	1700	60
1050	6	900	1850	60
1200	7	1050	2000	60
1400	8	1200	2300	76
1500	9	1350	2400	76
1600	10	1500	2500	76
1800	11	1650	2700	76
2000	12	1800	2900	76